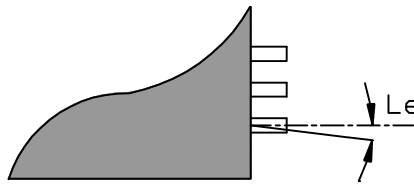
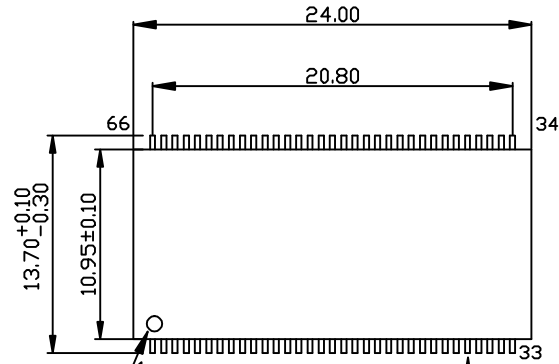
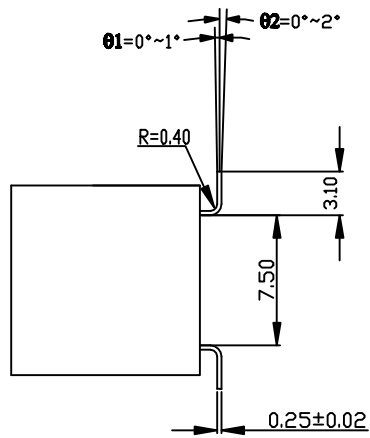
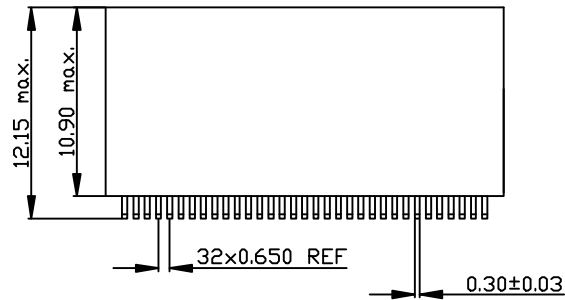


THIS DOCUMENT IS 3D-PHUS PROPERTY.
IT MAY NOT BE USED, REPRODUCED OR TRANSMITTED WITHOUT HERB APPROVAL.

CE DOCUMENT EST LA PROPRIETE DE LA SOCIETE 3D-PHUS
IL NE PEUT ETRE REPRODUIT OU COMMUNIQUE SANS SON AUTORISATION.




DETAIL A



Pin 1 Indicator

DETAIL A

NOTE: Dimensions in Millimeters
PACKAGE Y8 = 8 LEVEL
CONNECTIC = TSOP (66PIN)
PITCH = 0.65

COTES en millimètres (DIMENSIONS in millimeters)		TOLERANCES GENERALES (GENERAL TOLERANCE)		Modified following DM3300-1357-4		27/09/07	CF	3
Testable in Socket : ENPLAS OTS-66.065.11a Modified by 3D PHUS		±0.20mm Unless Otherwise Specified		Ad cotation (3.10) and (0~3) Modif. Lead finitton Ni Electro. (2to5)		30/06/05	ST	2
Leads Coplanarity : 0.15mm		DESSINE PAR (DRAWN BY) C.FERREIRA	DATE 27/09/2007			MODIFICATIONS		
MATIERE BROCHES (LEADS MATERIAL)	Fe/Ni/Co (Kovar) Thickness : 250µm±20µm	VERIFIE PAR (CHECKED BY) R. BOGAGE	DATE 28/09/2007			Module :	DATE	VISA
FINITION BROCHES (LEADS FINITION)	Ni electrolytique (205µm) + Au electrolytique (1.27 Typ. - Soit 182µm)	APPROUVE PAR (APPROVED BY) P MAURICE	DATE 01/10/2007	Function :	3200-1883			
		ECHELLE (SCALE) NONE		FORMAT (SIZE) A3	Mechanical Drawing Module SOP 66-065 - Package Y8		PLANCHE (SHEET) 1/1	

A B C D E F G H J K L M N P