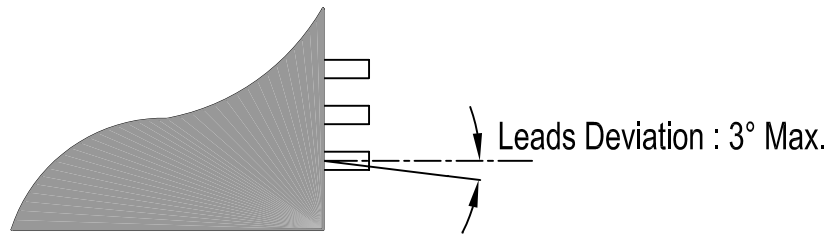
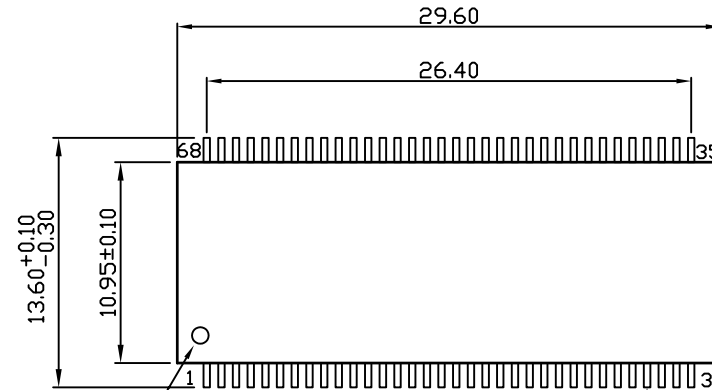
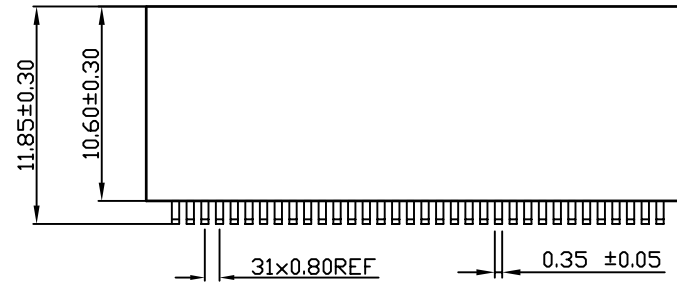
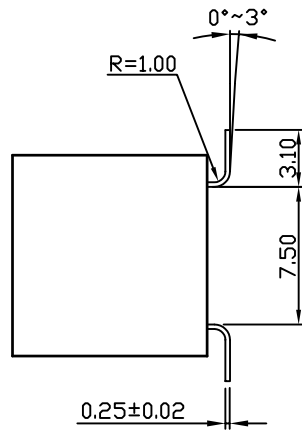


THIS DOCUMENT IS 3D-PLUS PROPERTY. IT MAY NOT BE USED, REPRODUCED OR TRANSMITTED WITHOUT THEIR APPROVAL.

CE DOCUMENT EST LA PROPRIETE DE LA SOCIETE 3D-PLUS. IL NE PEUT ETRE REPRODUIT OU COMMUNIQUE SANS SON AUTORISATION.



DETAIL A



Pin 1 indicator

DETAIL A

| | | | | | | | |
|---|--|---|--|-----------------------------|----------|---|---|
| COTES en millimètres (DIMENSIONS in millimeters) | | TOLERANCES GENERALES (GENERAL TOLERANCE) | | | | | |
| Testable in Socket : ENPLAS OTS 64-0.8-04 - Modified by 3D PLUS | | ±0.20mm Unless Otherwise Specified | | First issue | 09/06/04 | ST | 1 |
| Leads Coplanarity : 0.15mm | | DESSINE PAR (DRAWN BY) S. TEVERINI | | MODIFICATIONS | | | |
| MATERIE BROCHES (LEADS MATERIAL) Fe/Ni/Co Tickness : 250µm±20µm | | DATE 09/06/2004 | | Module : MUSTANG | | | |
| FINITION BROCHES (LEADS FINITION) Ni electrochimique (305µm) + Au electrolytique (1.27µm) | | VERIFIE PAR (CHECKED BY) R. BOCAGE | | Fonction : | | | |
| | | DATE 09/06/2004 | | P.C.B : | | | |
| | | APPROUVE PAR (APPROVED BY) P. MAURICE | | Document : 3200-1763 | | | |
| | | ECHELLE (SCALE) NONE | | FORMAT (SIZE) A3 | | Mechanical Drawing Module SOP 68-08 - Package V8 | |
| | | | | | | PLANCHE (SHEET) 1/1 | |

A B C D E F G H J K L M N P

1
2
3
4
5
6
7
8