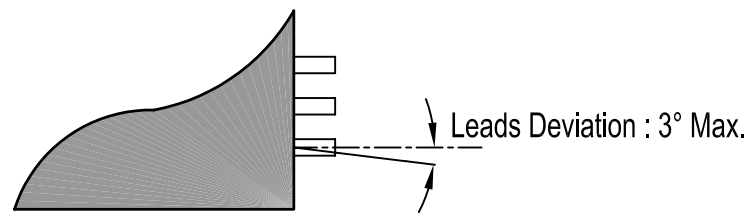
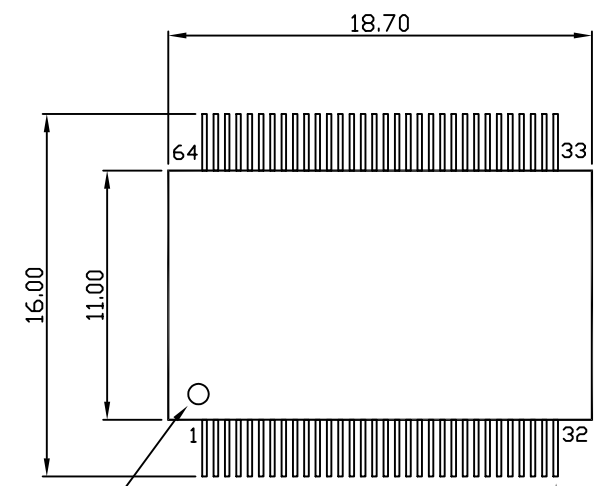
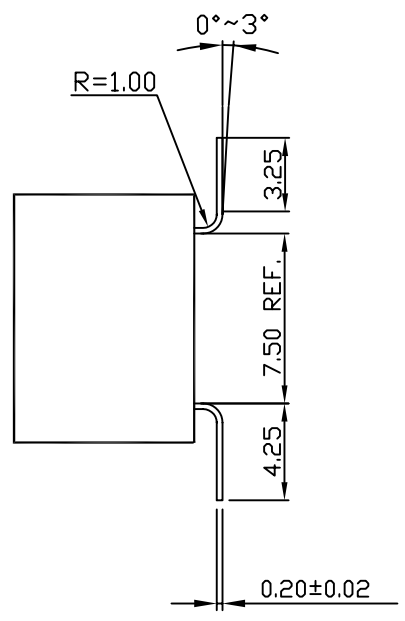
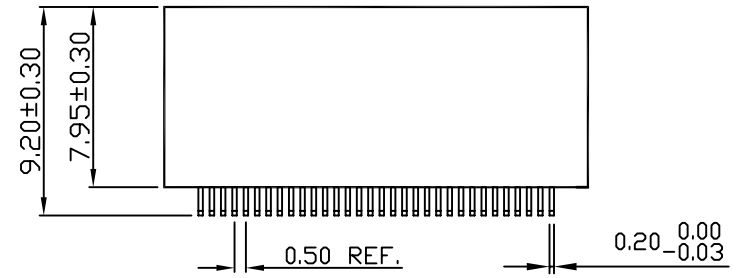


THIS DOCUMENT IS 3D-PLUS PROPERTY.
IT MAY NOT BE USED, REPRODUCED OR TRANSMITTED WITHOUT THEIR APPROVAL.




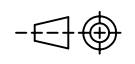
DETAIL A



Pin 1 Indicateur

DETAIL A

NOTE : Dimensions in Millimeters
 PACKAGE J4 = 4 LEVEL
 CONNECTIC = TSOP (64 PIN)
 PITCH = 0.50

TOLERANCES GENERALES (GENERAL TOLERANCE)						
±0.20mm Unless Otherwise Specified			First issue	19/02/04	ST	1
			MODIFICATIONS			IND
DESSINE PAR (DRAWN BY)	NOM (NAME) S. TEVERINI	DATE 19/02/2004			Module :	
VERIFIE PAR (CHECKED BY)	NOM (NAME) R. BOCAGE	DATE 19/02/2004			Fonction :	
APPROUVE PAR (APPROVED BY)	NOM (NAME)	DATE			P.C.B :	
			Document :			
 ECHELLE (SCALE) NONE		FORMAT (SIZE) A3	Mechanical Drawing Module PACKAGE J4			PLANCHIE (SHEET) 1/1

A B C D E F G H J K L M N P