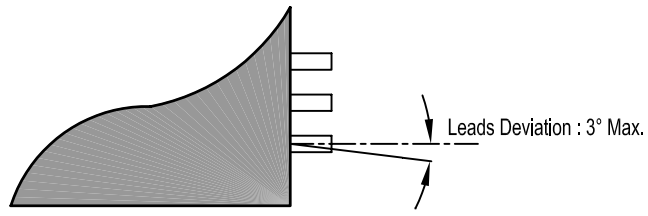
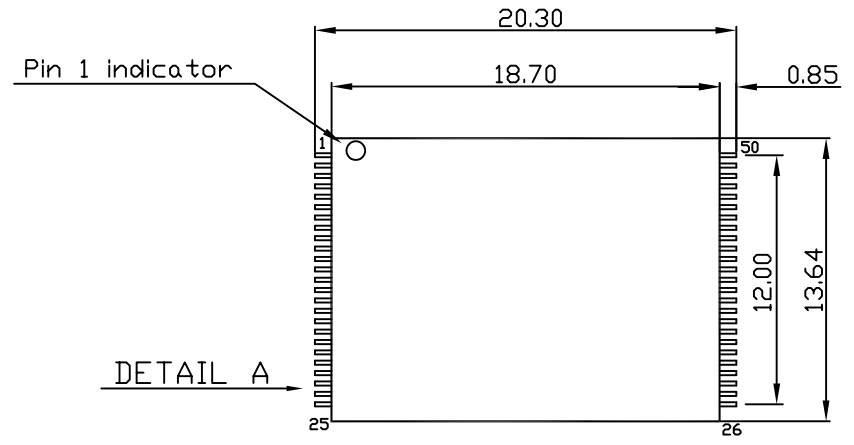
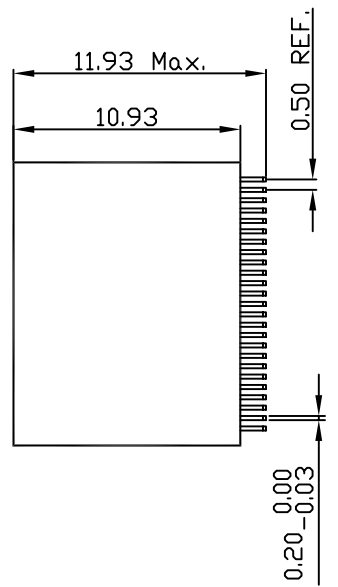
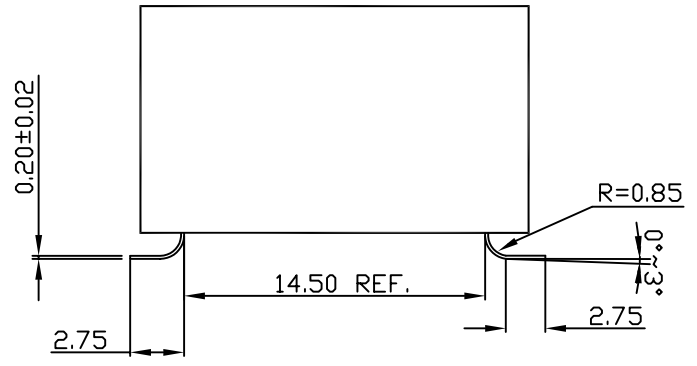


THIS DOCUMENT IS 3D-PLUS PROPERTY. IT MAY NOT BE USED, REPRODUCED OR TRANSMITTED WITHOUT THEIR APPROVAL.

CE DOCUMENT EST LA PROPRIETE DE LA SOCIETE 3D-PLUS. IL NE PEUT ETRE REPRODUIT OU COMMUNIQUE SANS SON AUTORISATION.


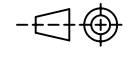


DETAIL A



DETAIL A

NOTE : Dimensions in Millimeters
 PACKAGE D8 = 8 LEVEL
 CONNECTIC = TSOP (50 PIN)
 PITCH = 0.50

TOLERANCES GENERALES (GENERAL TOLERANCE)					
USINAGE (TOOLING) ±0.20	PERCE (DRILLING) ±0.05		First Issue	19/02/04	ST 1
			MODIFICATIONS		
			DATE	VISA	IND
DESSINE PAR (DRAWN BY) S. TEVERINI	NOM (NAME)	DATE			
VERIFIE PAR (CHECKED BY) R. BOCAGE	NOM (NAME)	DATE			
APPROUVE PAR (APPROVED BY)	NOM (NAME)	DATE			
 ECHELLE (SCALE) NONE			FORMAT (SIZE) A3	Mechanical Drawing Module PACKAGE D8	
			PLANCHE (SHEET) 1/1		

A B C D E F G H J K L M N P

1
2
3
4
5
6
7
8