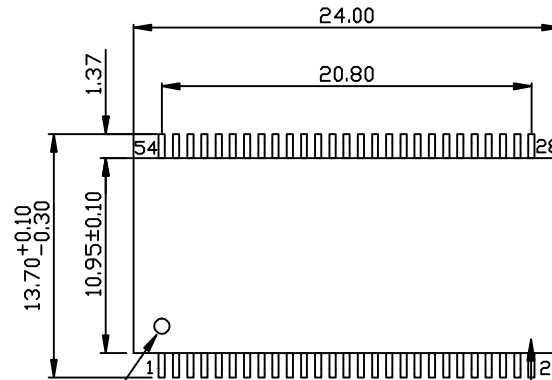
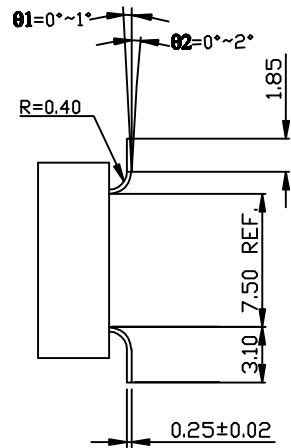
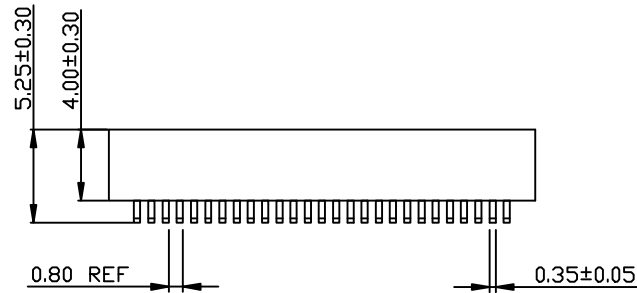


DETAIL A



Pin 1 indicator

DETAIL A

NOTE: Dimensions in Millimeters
PACKAGE B2 = 2 LEVEL
CONNECTIC = TSOP (54PIN)
PITCH = 0.80

COTES en millimètres (DIMENSIONS in millimeters)		TOLERANCES GENERALES (GENERAL TOLERANCE)		Modified Following DM3300-0780-2		09/07/08	RB	3
Testable in Socket : ENPLAS OTS 64-0.8-04 - Modified by 3D PLUS		±0.20mm Unless Otherwise Specified		Modified Following DM3300-0780-1		02/07/07	CF	2
Leads Coplanarity : 0.15mm		DESSINE PAR (DRAWN BY) S. TEVERINI		DATE 14/03/2003		First issue		
MATERIE BROCHES (LEADS MATERIAL) Fe/Ni/Co Thickness : 250µm±20µm		VERIFIE PAR (CHECKED BY) R. BOGAGE		DATE 14/03/2003		13/03/03		
FINITION BROCHES (LEADS FINITION) Ni electrolytique (305µm) + Au electrolytique (0.50µm)		APPROUVE PAR (APPROVED BY) P. MAURICE		DATE 17/03/2003		DATE		
		ECHELLE (SCALE) NONE		FORMAT (SIZE) A3		VISA		
				Mechanical Drawing SOP 54-08 - Package B2		IND		
				Module :		IND		
				Fonction :		IND		
				P.C.B :		IND		
				Document : 3200-1099		IND		
				PLANCHE (SHEET) 1/1		IND		

A B C D E F G H J K L M N P

1
2
3
4
5
6
7
8